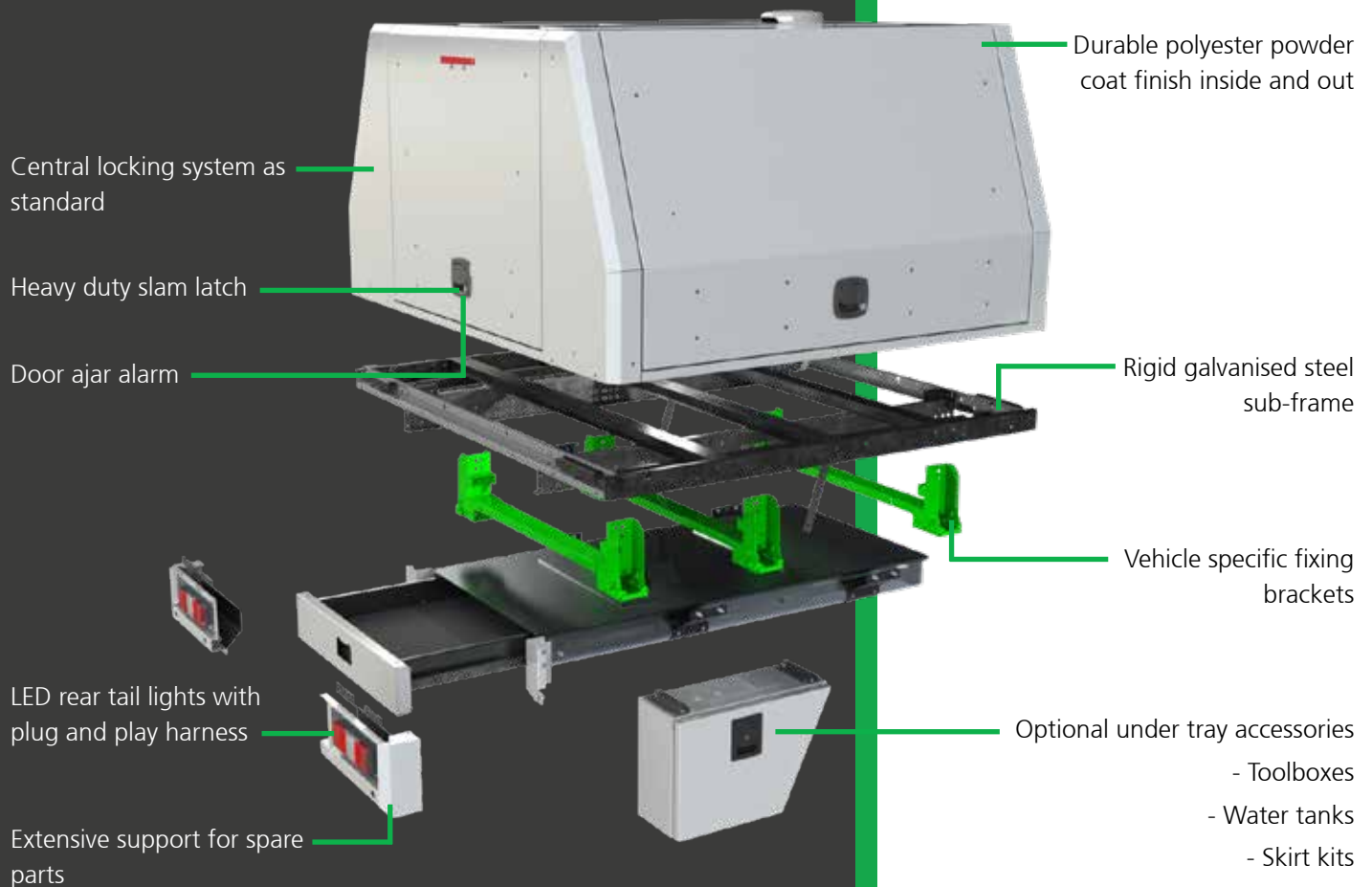


service canopy

Crash Tested



- Aluminium structure to increase payload capacity
- Tidy workspace creates a great first impression
- Central Locking to ensure your tools stay safe
- Australian owned and manufactured
- LED Tail Lights
- Integrated wiring channels
- Flexible vehicle specific fixing kits - Upgrade to new vehicle with a new kit



The only Australian Made and Crash Tested Canopy



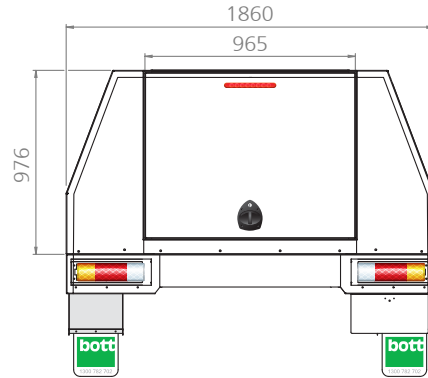
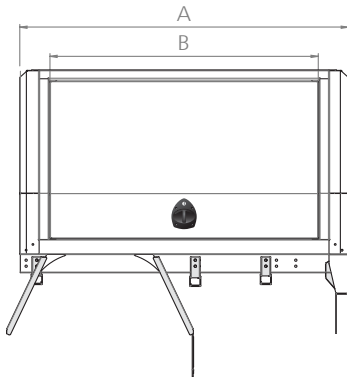
bott service canopy

Efficient storage for Utes

Optimised to your vehicle of choice - eg. Toyota Hilux, Ford Ranger, Isuzu D-Max and many more



Installation from 650



Cabin Size	A	B	Weight (kg)
Dual Cab	1700	1400	230
Super Cab	2100	1800	270
Single Cab	2400	2100	300

All measurements in mm

Service Canopies	\$ (ex GST)
* excludes fitting & extras	
Dual Cab	FROM *12,449
Extra Cab	FROM *13,205
Single Cab	FROM *14,119

***Door ajar alarm, Central locking* and Interior lights as standard**

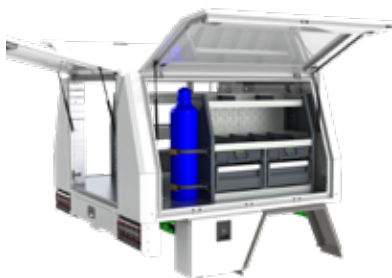
Optional Configurations Available

- 2 Door
- 2 Door with front and rear window
- 3 Door
- 3 Door with front and rear window
- 3 Door with 3 windows front, rear and LH Side



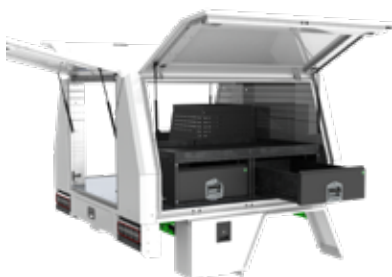
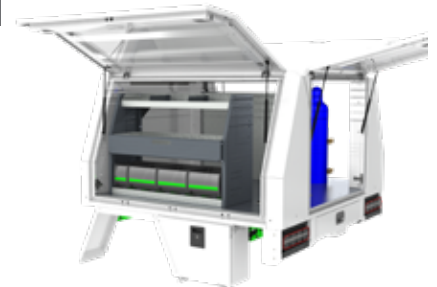
General Trade

- 2 x Low Front Shelves 248D
- 4 x Low Front Shelves 360D
- 20 x Low Front shelf dividers



Electrical / Service Technician

- 2 x Low Front Shelves 248D
- 1 x Low Front Shelf 360D
- Drop Front Shelf 360D
- 2 x Varioslide drawers
- 2 x Systainer³ Cases
- 8 x Low Front shelf Dividers
- 4 x Bottbox Storage bins



Recreational / Tradie Workspace

- Twin Drawer Unit 2 x 750D x 625W x 370H
- Bolt on Top Tray Lip kit for Drawer Unit
- 1 x Tilt Fridge Slide
- 1 x Fridge Cage

